

TURNING

THREADING

GROOVING

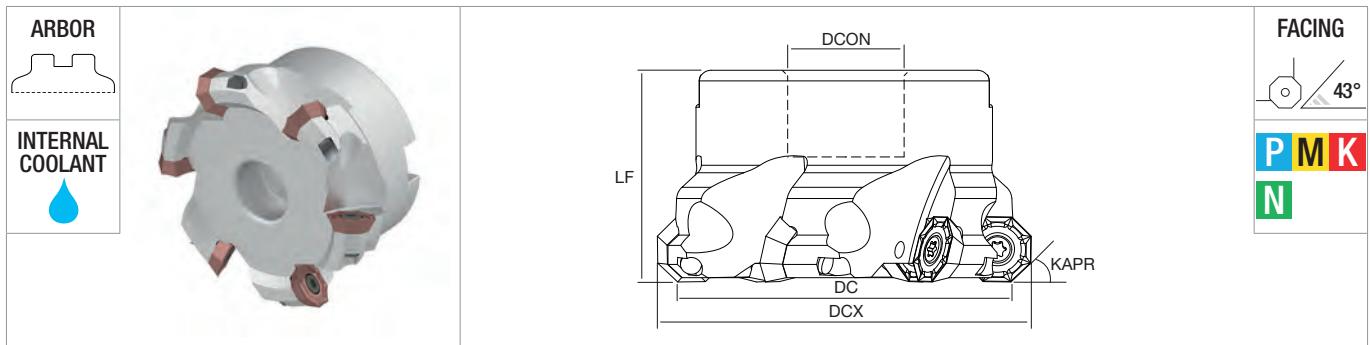
MILLING

DRILLING

ACCESSORIES

| | OFKT | | OKTOPLUS Facing 43° - positive | | | | ISO513 | HC-PVD | HC-CVD | HW | | | | | | | | | | | | |
|------------------------|------------------------|---------------------------------------|--|------------------|--|----------------------------|--------------|------------|-------------|--------|--|--|--|--|--|--|--|--|--|--|--|--|
| | Size | IC | S | D1 | AN | P | JP8525 | JP9525 | JC7530 | JU6520 | | | | | | | | | | | | |
| <p>8 edges</p> | 05 | 12.70 | 3.97 | 4.40 | 26° | P | 80 250 | | | | | | | | | | | | | | | |
| | | | | | | M | 70 220 | | | | | | | | | | | | | | | |
| | | | | | | K | | 100 300 | | | | | | | | | | | | | | |
| | | | | | | N | | | 200 1000 | | | | | | | | | | | | | |
| | | | | | | S | | | | | | | | | | | | | | | | |
| | | | | | | H | | | | | | | | | | | | | | | | |
| GRADE APPLICATION AREA | | Light cut, stable machining | | | + | | | | | | | | | | | | | | | | | |
| main application | | Variable condition, general machining | | | - | | | | | | | | | | | | | | | | | |
| applicable | | Heavy cut, unstable machining | | | + | | | | | | | | | | | | | | | | | |
| GENERAL | GP P M K | | OFKT 05T305-GP | RE 0.5 BS 1.1 | $a_p \triangleright$ 1.00 $f_z \triangleright$ 0.07 | 2.00 0.16 | 3.00 0.25 | ● | ● | ● | | | | | | | | | | | | |
| | AL N | | OFKT 05T305-AL | RE 0.5 BS 1.1 | $a_p \triangleright$ 0.50 $f_z \triangleright$ 0.10 | 1.50 0.15 | 2.50 0.20 | | | ● | | | | | | | | | | | | |
| | polished surface | | | | | | | | | | | | | | | | | | | | | |

● stock standard



| | | | | | | | | | |
|--------------|-------------------------|---|-----------|------------|--|-------------|-----------|--|-------------|
| ARBOR | INTERNAL COOLANT | OKTOPLUS - OF Facing (KAPR 43°) | DC | DCX | | DCON | LF | | MIID |
| | | | | | | | | | |

| ARBOR | NT-OF05H | | | | ● | DC | DCX | Z | DCON | LF | KG | MIID | OFKT05 |
|-------|----------|-------------|-------------|-------------|-----|-----|-----|----|------|------|----|------|--------|
| | | D050-F22-Z5 | D063-F22-Z6 | D080-F27-Z7 | | | | | | | | | |
| | | | | | 50 | 58 | 5 | 22 | 40 | 0.45 | | | |
| | | | | | 63 | 71 | 6 | 22 | 40 | 0.65 | | | |
| | | | | | 80 | 88 | 7 | 27 | 50 | 1.00 | | | |
| | | | | | 100 | 108 | 8 | 32 | 50 | 1.60 | | | |

● stock standard



| | | |
|---------------------------------|----------|----------|
| NT-OF05H D₀₀₀ | NT-ST024 | NT-FTB15 |
|---------------------------------|----------|----------|

TURNING

THREADING

GROOVING

MILLING

DRILLING

ACCESSORIES

TURNING

THREADING

GROOVING

MILLING

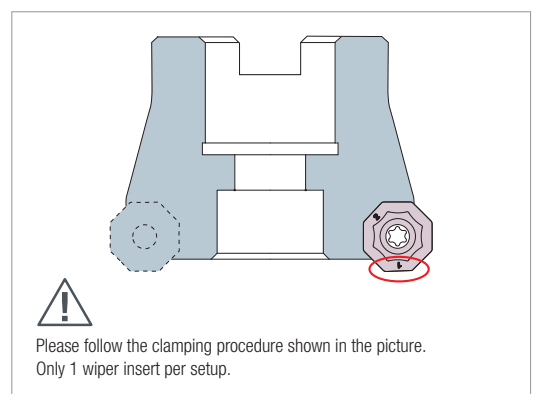
DRILLING

ACCESSORIES

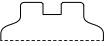
| OD-T | OKTOPLUS Facing 43° - positive | | | | | ISO513 | HC-PVD | | | | HC-CVD | HW | | | | | | | | | | | | | | |
|------------------------|-----------------------------------|---------------------------------------|------|------|-----|----------|-----------|-----------|------------|-----------|------------|-------------|--------|--------|--|--|--|--|--|--|--|--|--|--|--|--|
| | Size | IC | S | D1 | AN | | JP5520 | JP5530 | JP7525 | JP9535 | | | JG7515 | JW6520 | | | | | | | | | | | | |
| <p>8 edges</p> | | | | | | P | 80 250 | 60 230 | | | | | | | | | | | | | | | | | | |
| | 06 | 15.875 | 5.56 | 5.50 | 15° | M | 60 160 | 60 150 | | 60 200 | | | | | | | | | | | | | | | | |
| | | | | | | K | | | 100 240 | | 120 350 | | | | | | | | | | | | | | | |
| | | | | | | N | | | | | | 200 1000 | | | | | | | | | | | | | | |
| | | | | | | S | | | | | 40 100 | | | | | | | | | | | | | | | |
| GRADE APPLICATION AREA | | Light cut, stable machining | | | | + | | | | | | | | | | | | | | | | | | | | |
| main application | | Variable condition, general machining | | | | - | | | | | | | | | | | | | | | | | | | | |
| applicable | | Heavy cut, unstable machining | | | | + | | | | | | | | | | | | | | | | | | | | |

| | SC P M S | | | | | | | | | | | | | | | | | | | | | | | | | |
|-------------------|-----------------|----------------|--------|-------|------|-------------|------|---|---|---|---|--|--|--|--|--|--|--|--|--|--|--|--|--|--|--|
| SHARP | | ODKT 060508-SC | RE 0.8 | a_p | 0.50 | 1.50 | 2.50 | ● | ● | | | | | | | | | | | | | | | | | |
| | | | BS 1.8 | f_z | 0.08 | 0.15 | 0.22 | | | | | | | | | | | | | | | | | | | |
| GENERAL | | ODKT 060508-GP | RE 0.8 | a_p | 1.00 | 2.00 | 3.00 | ● | ● | ● | ● | | | | | | | | | | | | | | | |
| | | | BS 1.8 | f_z | 0.10 | 0.21 | 0.32 | | | | | | | | | | | | | | | | | | | |
| REINFORCED | | ODKT 060508-TE | RE 0.8 | a_p | 1.50 | 2.50 | 3.50 | ● | ● | | | | | | | | | | | | | | | | | |
| | | | BS 1.8 | f_z | 0.14 | 0.26 | 0.38 | | | | | | | | | | | | | | | | | | | |
| WIPER | | ODKT 060508-WU | RE 0.8 | a_p | 0.50 | 1.00 | 1.50 | ● | ● | ▲ | | | | | | | | | | | | | | | | |
| | | | BS 6.4 | f_z | 0.08 | 0.16 | 0.24 | | | | | | | | | | | | | | | | | | | |
| ALUMINIUM | | ODKT 060508-AL | RE 0.8 | a_p | 0.50 | 2.00 | 3.50 | | | | | | | | | | | | | | | | | | | |
| | | | BS 1.8 | f_z | 0.10 | 0.22 | 0.35 | | | | | | | | | | | | | | | | | | | |


● stock standard, ▲ upcoming introduction




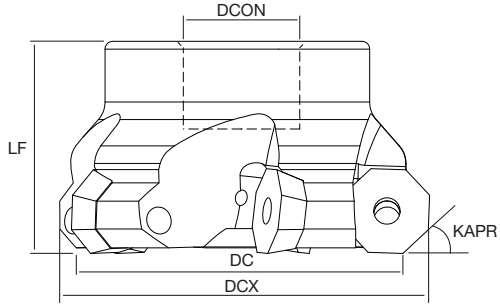
ARBOR




INTERNAL COOLANT







FACING



PMK
NS

OKTOPLUS - OD
Facing (KAPR 43°)

| | DC | DCX | Z | DCON | LF | KG | MIID |
|--|----|-----|---|------|----|----|------|
|--|----|-----|---|------|----|----|------|

| ARBOR | NT-OD06H | D050-F22-Z4 | ● | 50 | 60 | 4 | 22 | 40 | 0.40 | ODKT06 ODMT06 | |
|-------|----------|-------------|--------------|----|-----|-----|----|----|------|------------------|------|
| | | | D063-F22-Z5 | ● | 63 | 73 | 5 | 22 | 40 | | 0.60 |
| | | | D080-F27-Z6 | ● | 80 | 90 | 6 | 27 | 50 | | 1.10 |
| | | | D100-F32-Z7 | ● | 100 | 110 | 7 | 32 | 50 | | 1.60 |
| | | | D125-F40-Z8 | ● | 125 | 135 | 8 | 40 | 63 | | 2.70 |
| | | | D160-F40-Z10 | ● | 160 | 170 | 10 | 40 | 63 | | 4.20 |

● stock standard

Spare Parts

INSERT SCREW



INSERT WRENCH



| | | |
|---------------------------------|----------|----------|
| NT-OD06H D₀₀₀ | NT-ST021 | NT-FTB20 |
|---------------------------------|----------|----------|

- TURNING
- THREADING
- GROOVING
- MILLING
- DRILLING
- ACCESSORIES