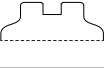

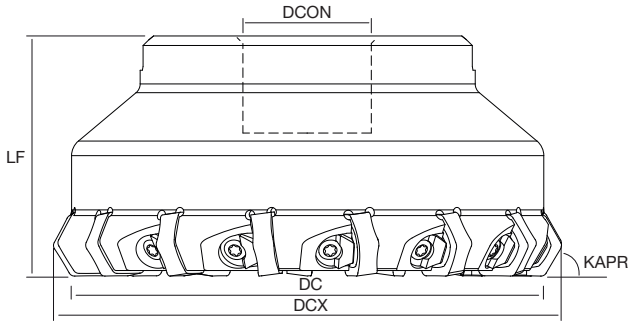





**ARBOR**







**FACING**



**60°**

**K**

**DOUBLEHEX**  
Facing (KAPR 60°)

	DC	DCX	Z	DCON	LF	KG	MIID
--	----	-----	---	------	----	----	------

<b>ARBOR</b>	<b>NT-HN09</b>								
		<b>D080-F27-Z8</b>	●	80	90	8	27	50	1.40
<b>D080-F27-Z10</b>	●			10	27	50	1.40		
<b>D100-F32-Z10</b>	●	100	110	10	32	50	2.00		
<b>D100-F32-Z14</b>	●			14	32	50	2.00		
<b>D125-F40-Z12</b>	●	125	135	12	40	63	3.80		
<b>D125-F40-Z15</b>	●			15	40	63	3.80		
<b>D160-F40-Z15</b>	●	160	170	15	40	63	5.30		
<b>D160-F40-Z20</b>	●			20	40	63	5.30		

● stock standard

**Spare Parts**

	<b>WEDGE</b>	<b>WEDGE SCREW</b>	<b>WRENCH</b>
			
<b>NT-HN09 D□□□</b>	NT-WD090	NT-SC090	NT-WR030

- TURNING
- THREADING
- GROOVING
- MILLING
- DRILLING
- ACCESSORIES